



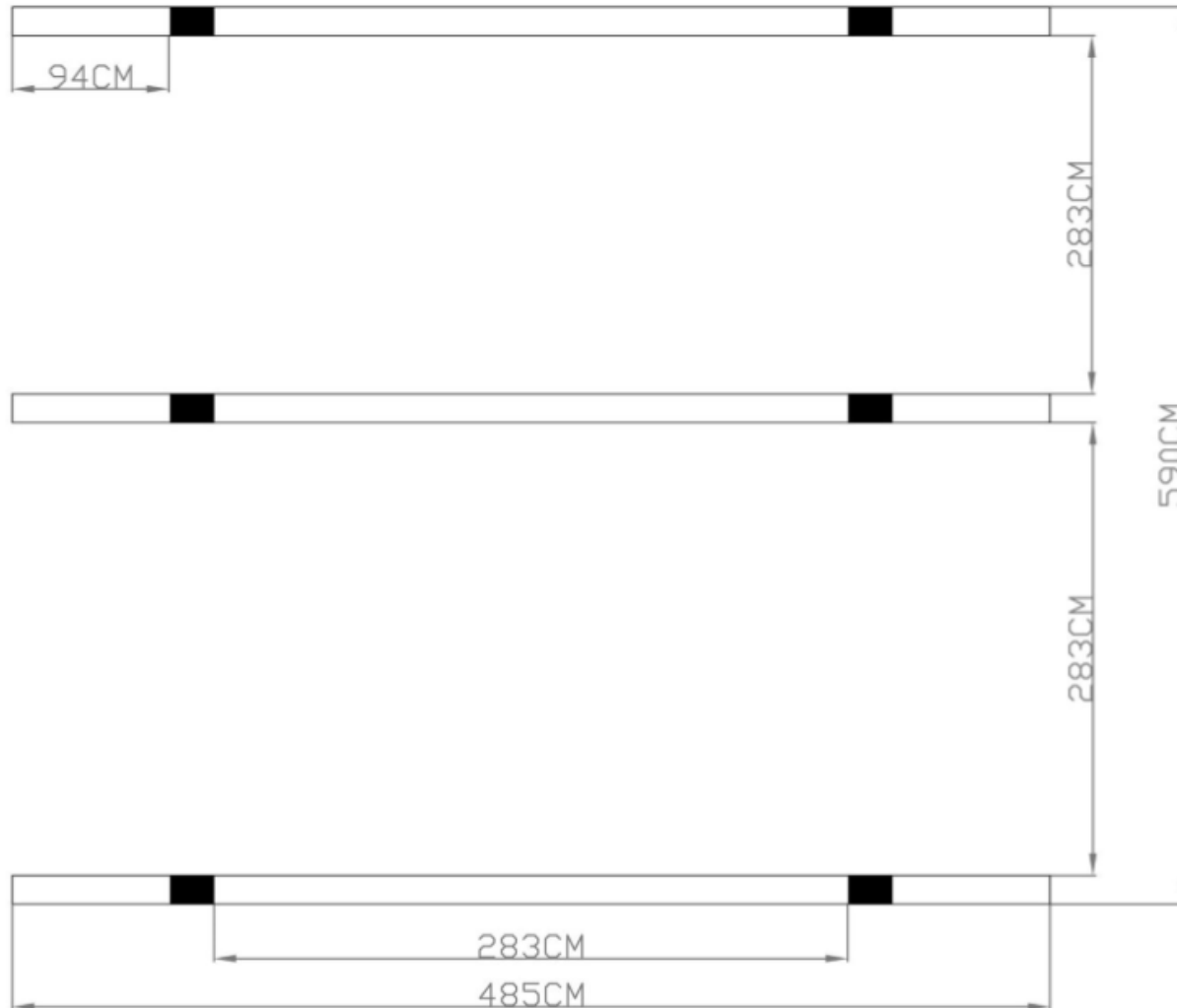
# Notice de Montage

**DOUBLE CARPORT  
ALUMINIUM TOIT 1/2 ROND**



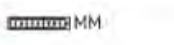












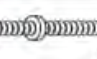





















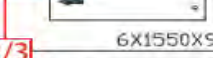



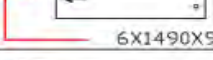











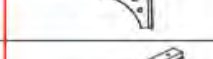










Réf : CAR 6048 ALRP(T)

























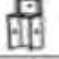














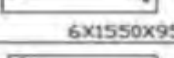

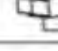

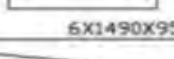







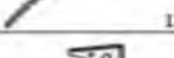



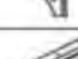

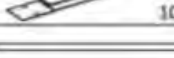




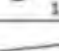



# Plan de soubassement



# Emplacement des pièces dans les cartons

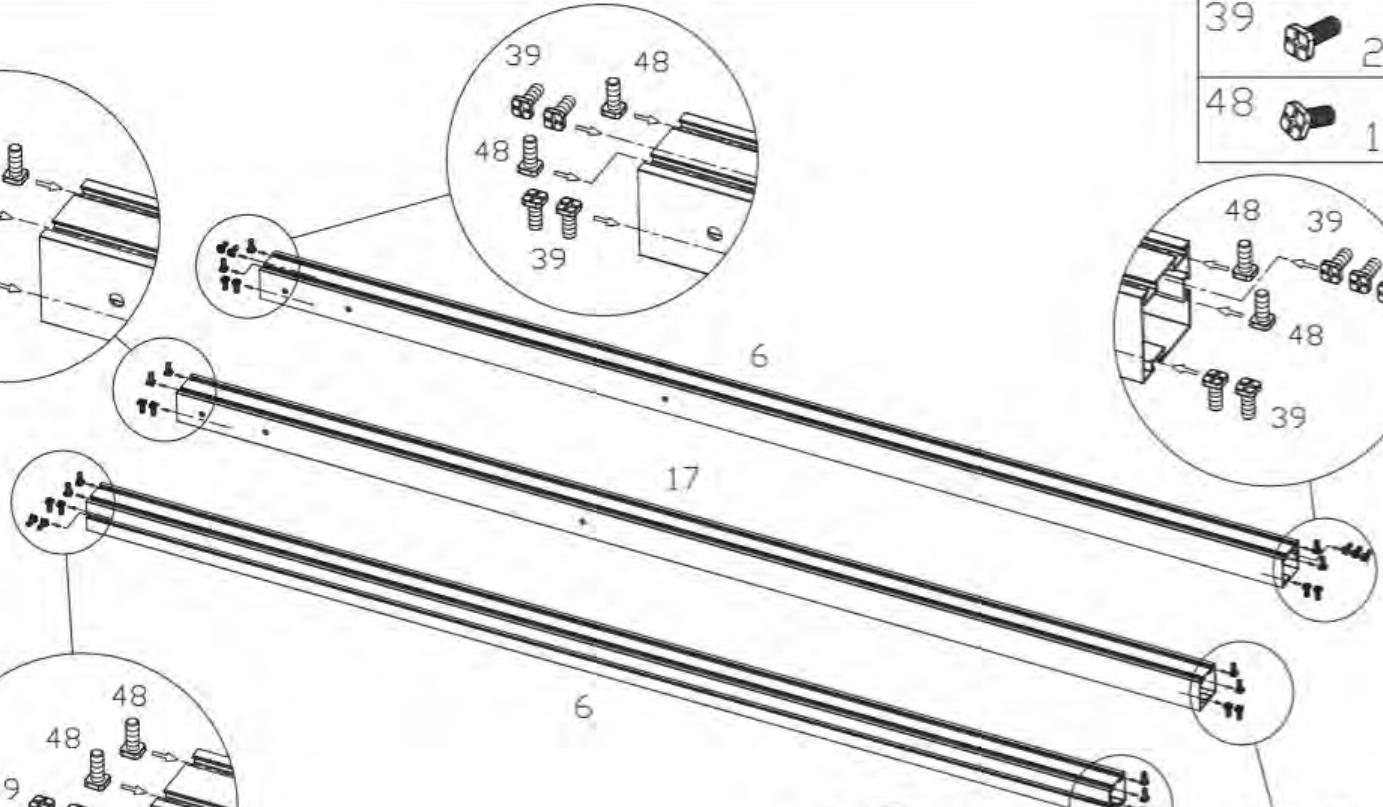
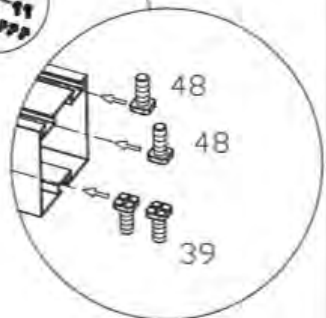
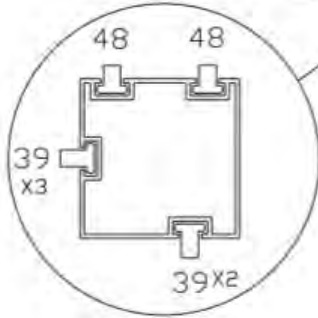
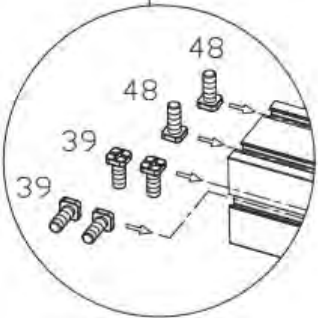
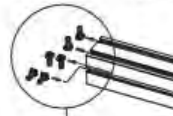
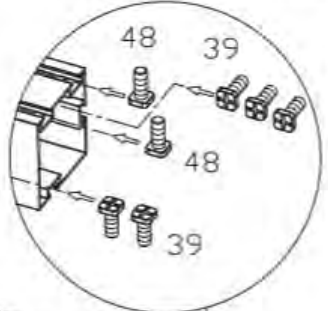
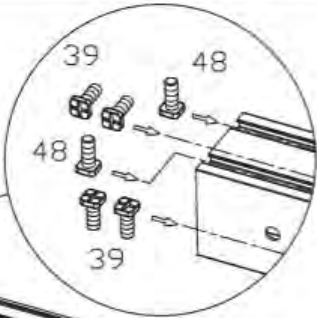
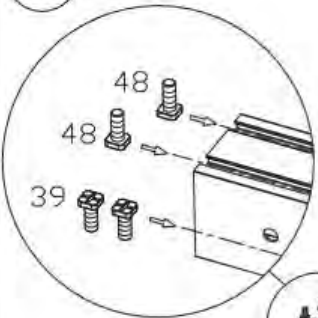
#	 MM	x	#	 MM	x	#	 MM	x	#	 MM	x
1A	 1550mm	4x	13	 1614mm	2x	29		2x	45	 1/4"x38mm	24x
1B	 1550mm	4x	14	 1614mm	2x	30		2x	46	 1/4"x70mm	11x
2A	 1550mm	2x	15	 1614mm	2x	31		4x	47	 1/4"x57mm	16x
2B	 1550mm	2x	16	 1614mm	1x	32		2x	48	 1/4"x10mm	36x
3A	 1502mm	4x	17	 1614mm	1x	33		4x	49	 1/4", 1/4"x5/16"	1x
3B	 1502mm	4x	18	 1614mm	1x	34		2x	50	 50x50	6x
4A	 1502mm	2x	19	 1614mm	1x	35		6x	51		4x
4B	 1502mm	2x	20	 1614mm	2x	36		12x	52		2x
5	 1614mm	2x	21N	 6X1550X950mm	10x	37	 1/4"x15mm	144x	53		4x
6	 1614mm	2x	22N	 6X1490X950mm	10x	38	 ø7x19x1.6mm	325x	54		2x
7	 1614mm	2x	23	 947mm	20x	39	 1/4"x15mm	94x	55	 20x20	16x
8	 905mm	20x	24	 1197mm	8x	40	 M4x8mm	24x	56	 1/4"x6mm	6x
9	 1002mm	4x	25		12x	41	 1/4"x80mm	4x			
10	 1020mm	6x	26		4x	42	 1/4"x35mm	16x			
11	 2035mm	4x	27		2x	43	 1/4"x6mm	166x			
12	 1982mm	2x	28		8x	44	 5/16"x76mm	24x			

# Les pièces pour l'assemblage



#	 MM	x	#	 MM	x	#	 MM	x	#	 MM	x
1A	 1550mm	4x	13	 1614mm	2x	29		2x	45	 1/4"x38mm	24x
1B	 1550mm	4x	14	 1614mm	2x	30		2x	46	 1/4"x70mm	11x
2A	 1550mm	2x	15	 1614mm	2x	31		4x	47	 1/4"x57mm	16x
2B	 1550mm	2x	16	 1614mm	1x	32		2x	48	 1/4"x10mm	36x
3A	 1502mm	4x	17	 1614mm	1x	33		4x	49	 1/4", 1/4", 5/16"	1x
3B	 1502mm	4x	18	 1614mm	1x	34		2x	50	 50x50	6x
4A	 1502mm	2x	19	 1614mm	1x	35		6x	51		4x
4B	 1502mm	2x	20	 1614mm	2x	36		12x	52		2x
5	 1614mm	2x	21N	 6X1550X950mm	10x	37	 1/4"x15mm	144x	53		4x
6	 1614mm	2x	22N	 6X1490X950mm	10x	38	 #7x19x1.6mm	325x	54		2x
7	 1614mm	2x	23	 947mm	20x	39	 1/4"x15mm	94x	55	 20x20	16x
8	 905mm	20x	24	 1197mm	8x	40	 M4x8mm	24x	56	 1/4"x6mm	6x
9	 1002mm	4x	25		12x	41	 1/4"x75mm	4x			
10	 1020mm	6x	26		4x	42	 1/4"x35mm	16x			
11	 2035mm	4x	27		2x	43	 1/4"x6mm	166x			
12	 1982mm	2x	28		8x	44	 5/16"x76mm	24x			

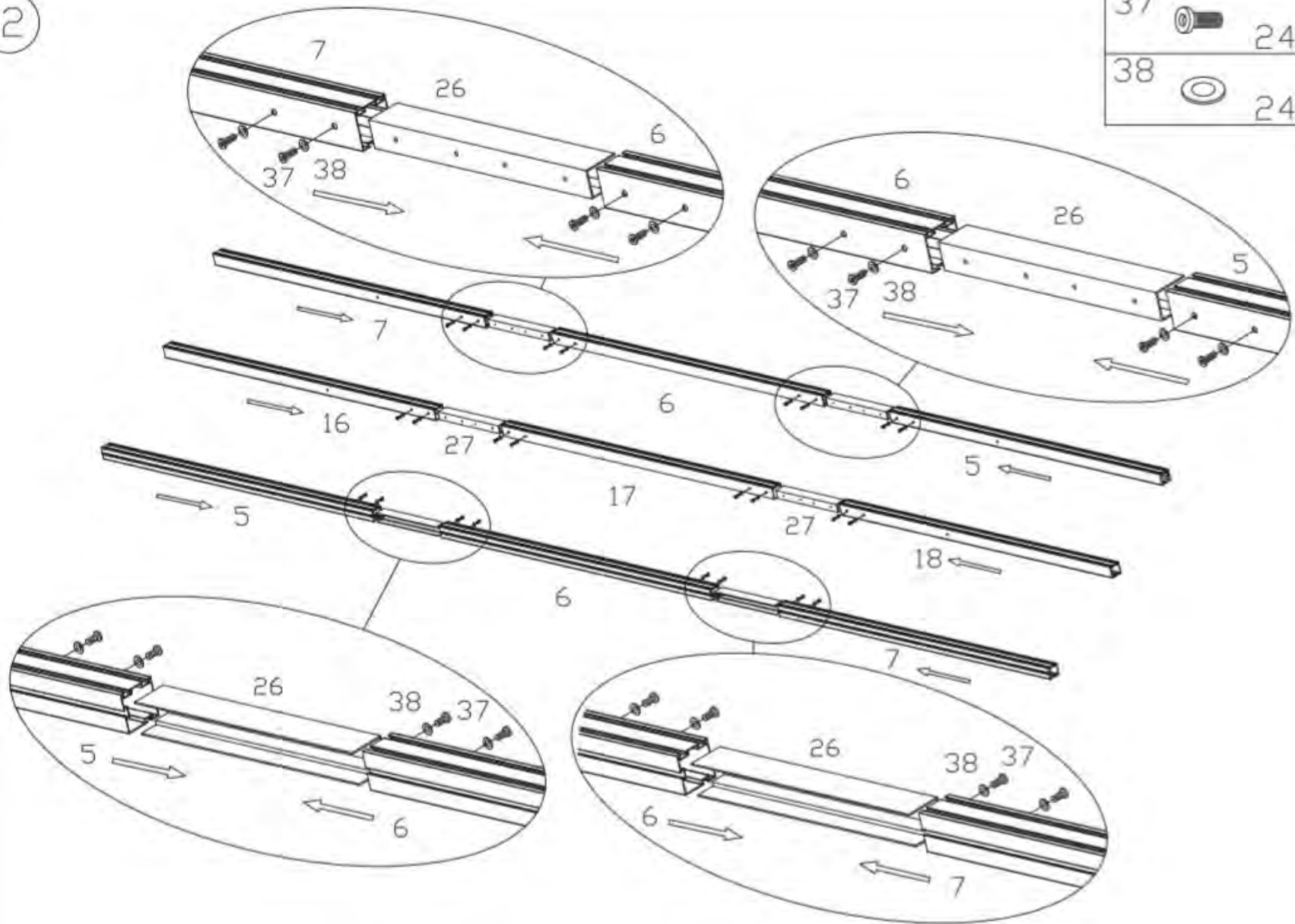
1

- 39  22x
- 48  12x

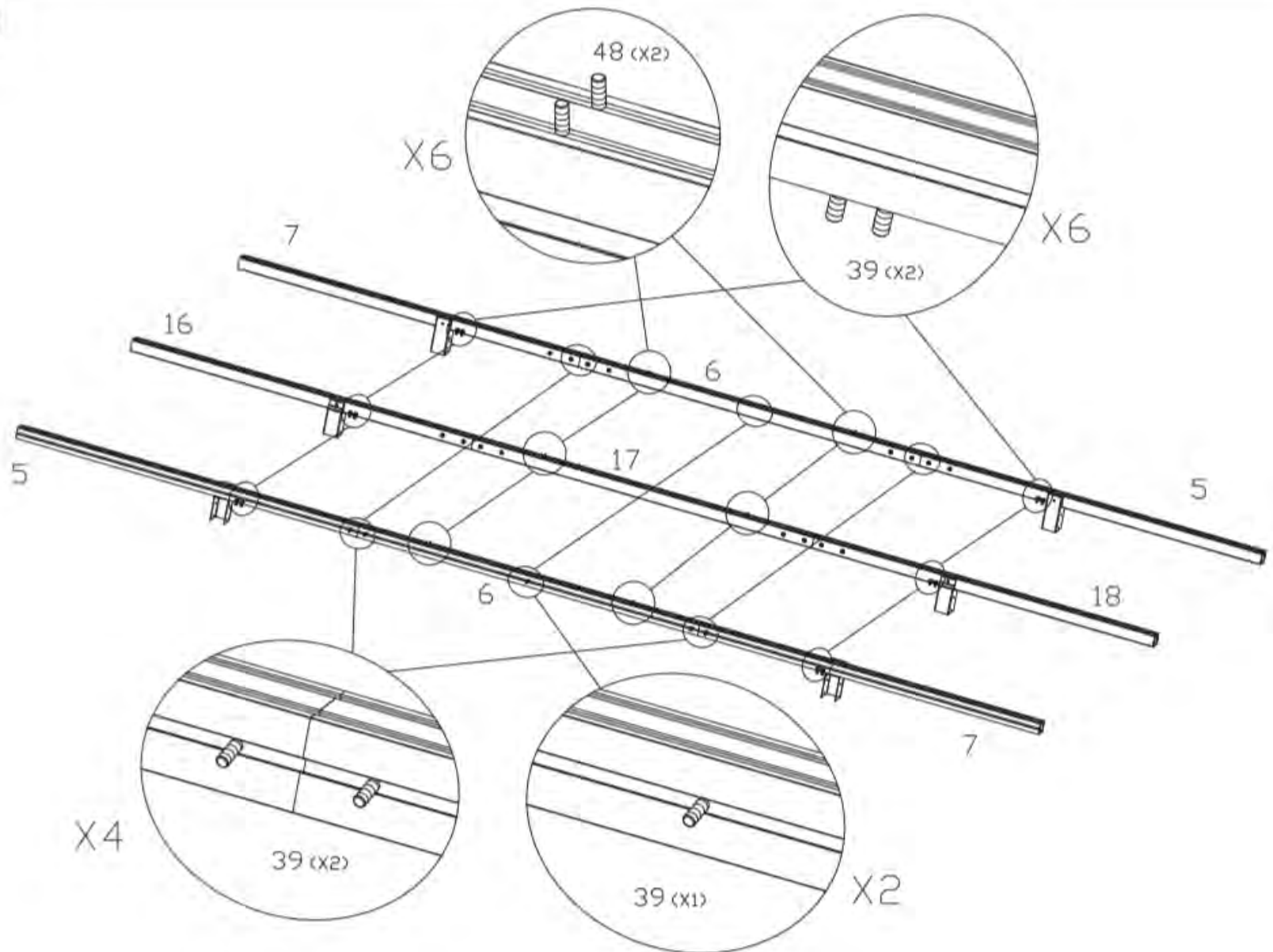


2

37		24x
38		24x

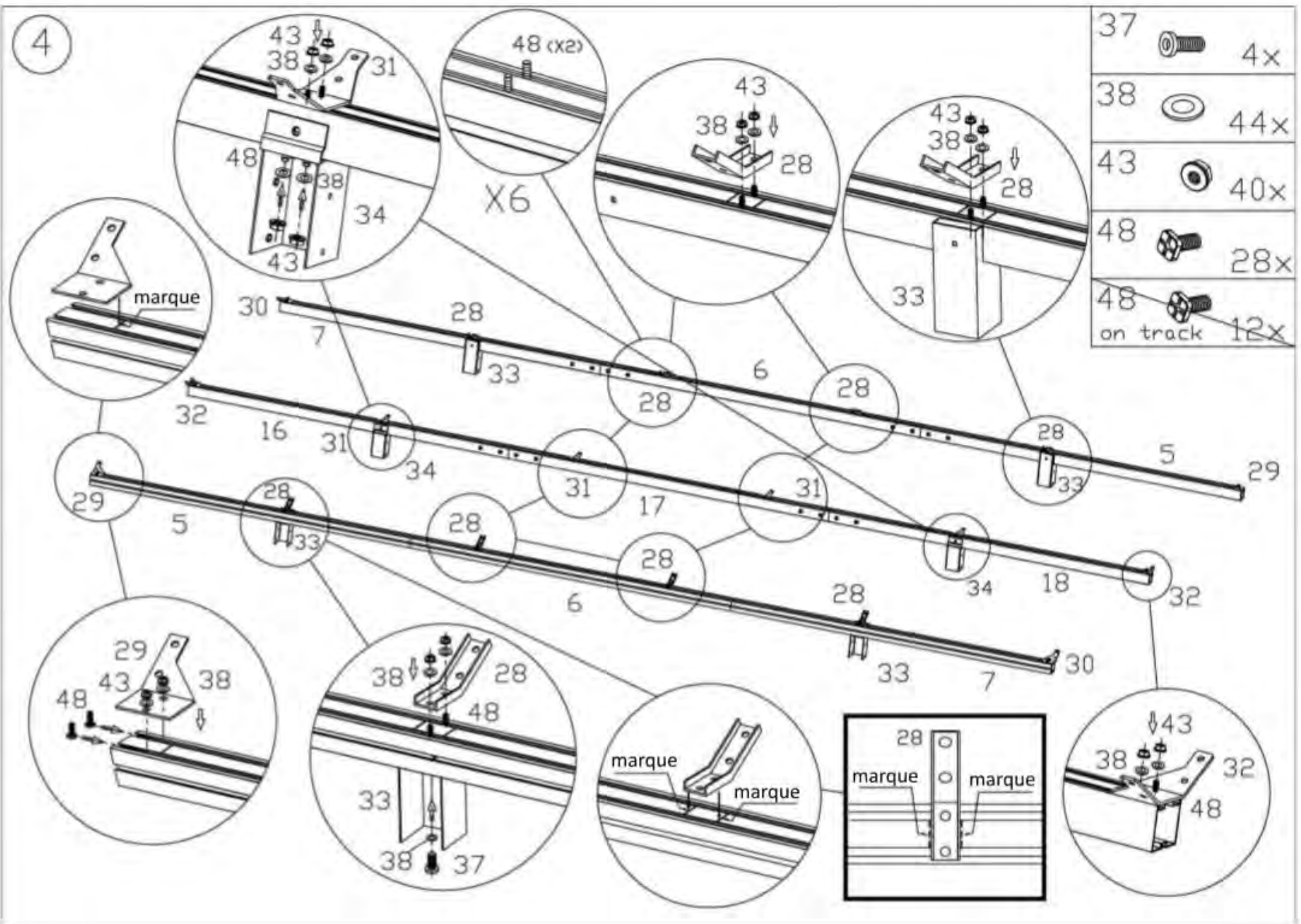







3



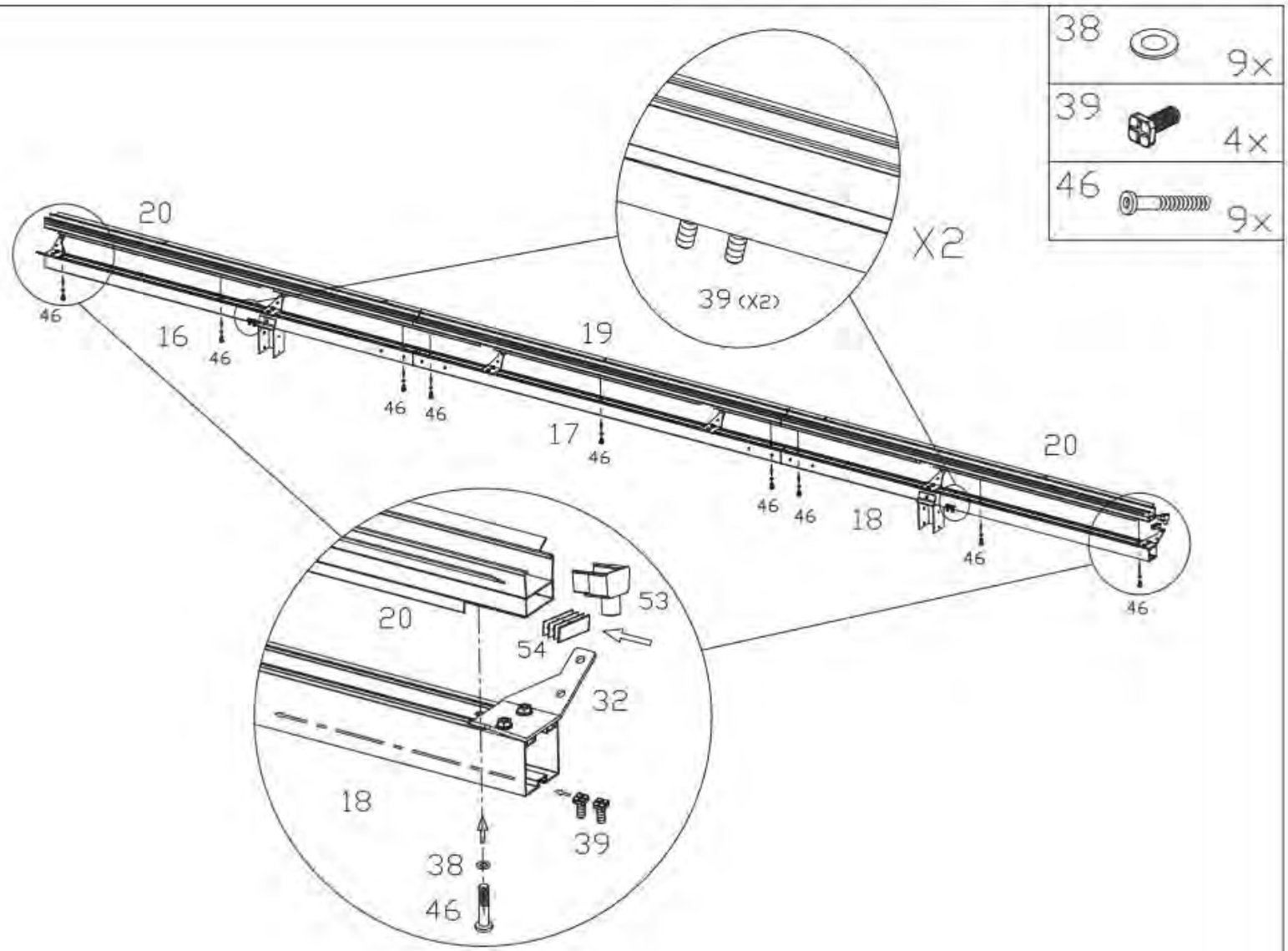


4

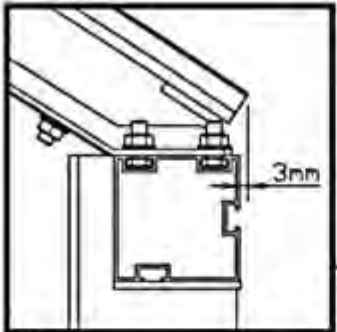
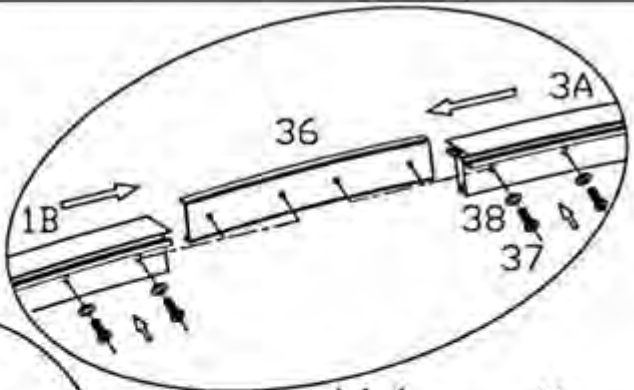







- 37  4x
- 38  44x
- 43  40x
- 48  28x
- 48  on track 12x

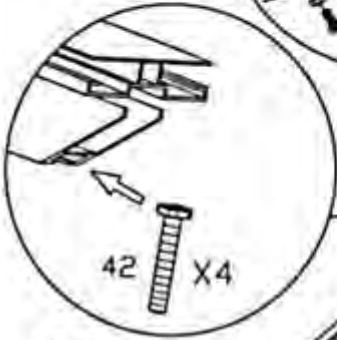
5



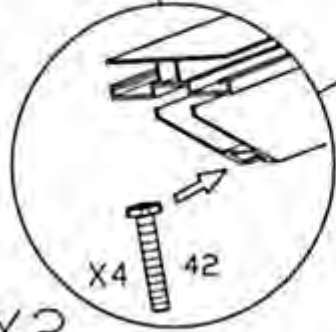
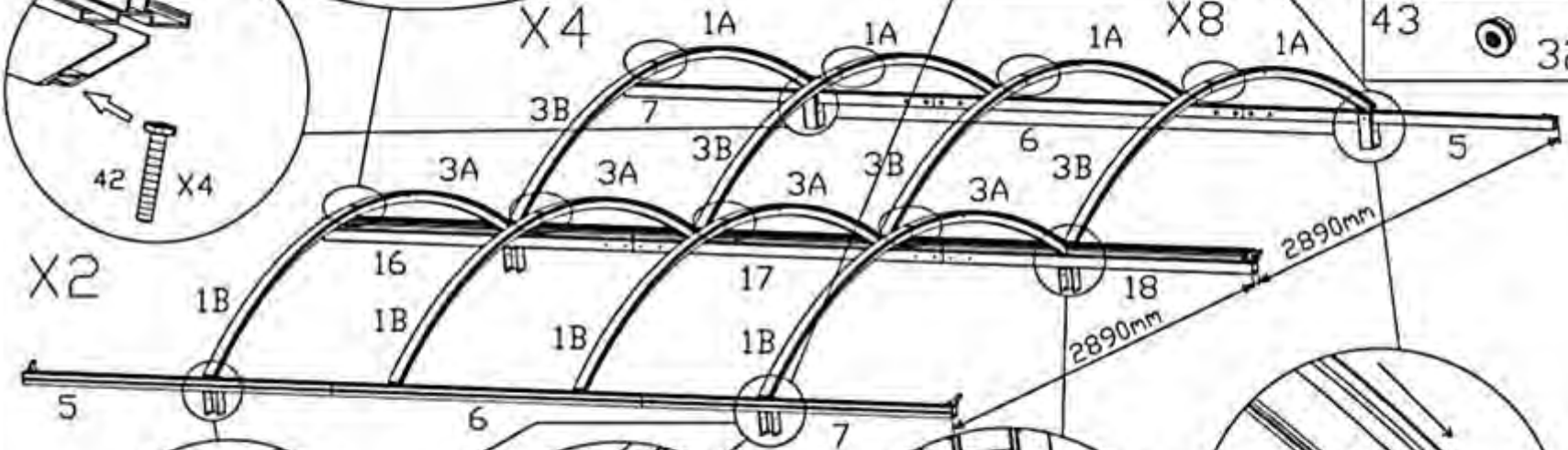
6



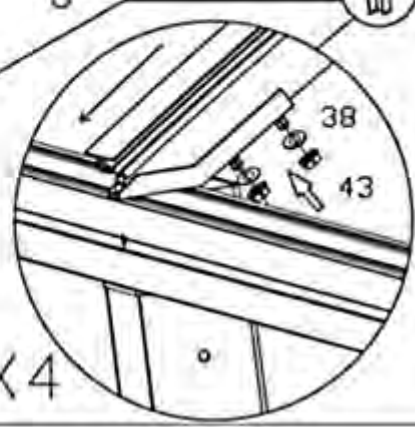
- 37  32x
- 38  64x
- 39  32x
- 42  16x
- 43  32x



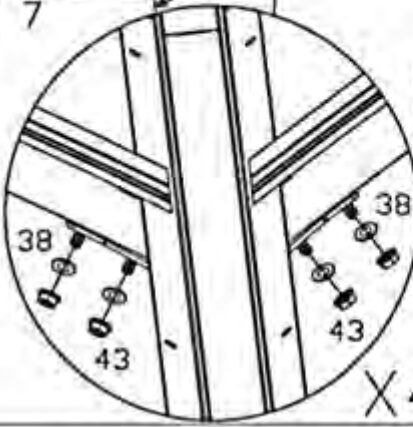
X2



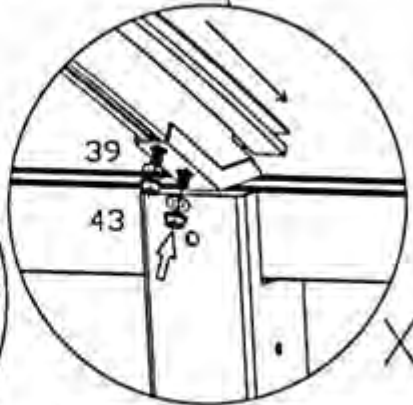
X2



X4

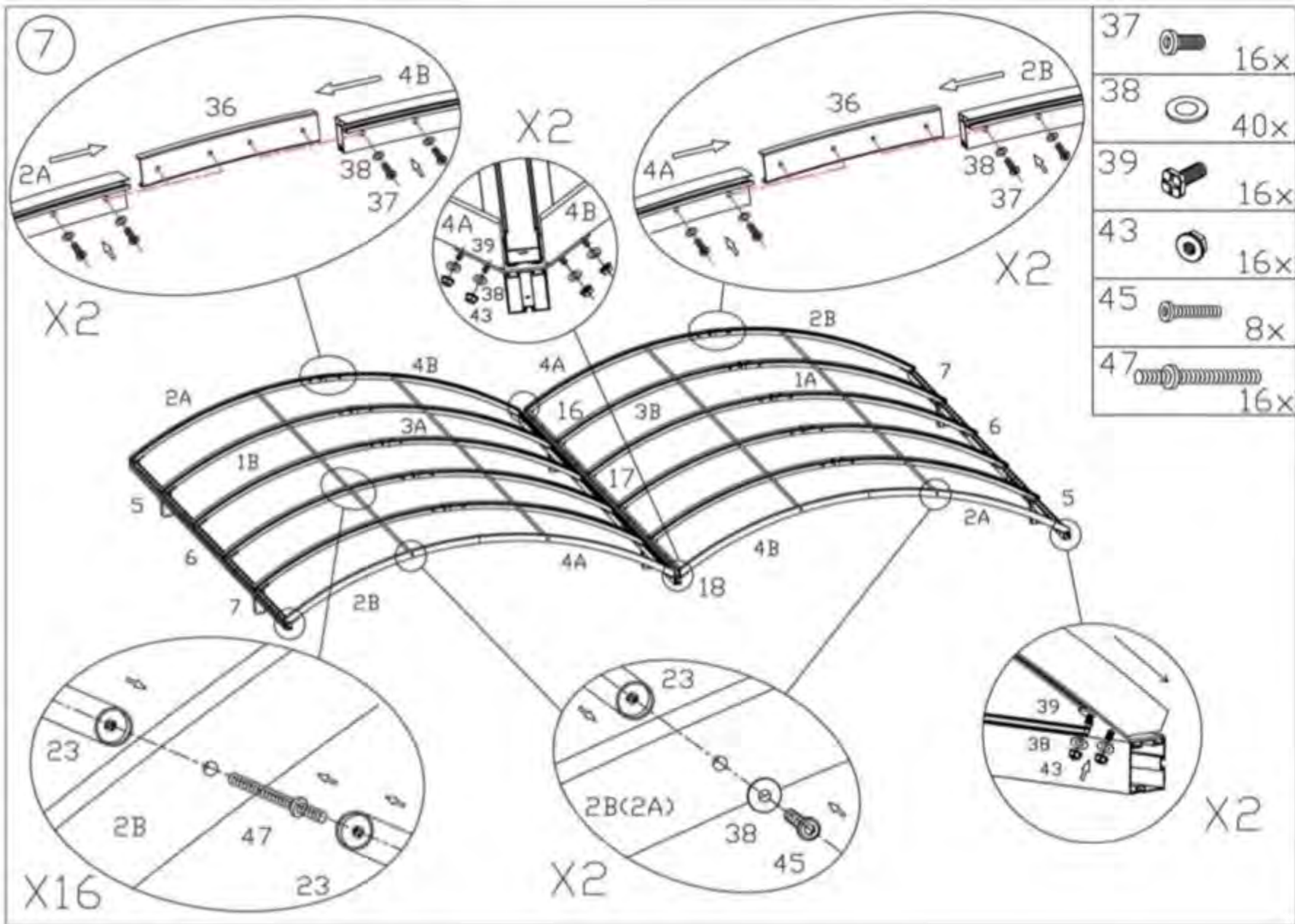


X4

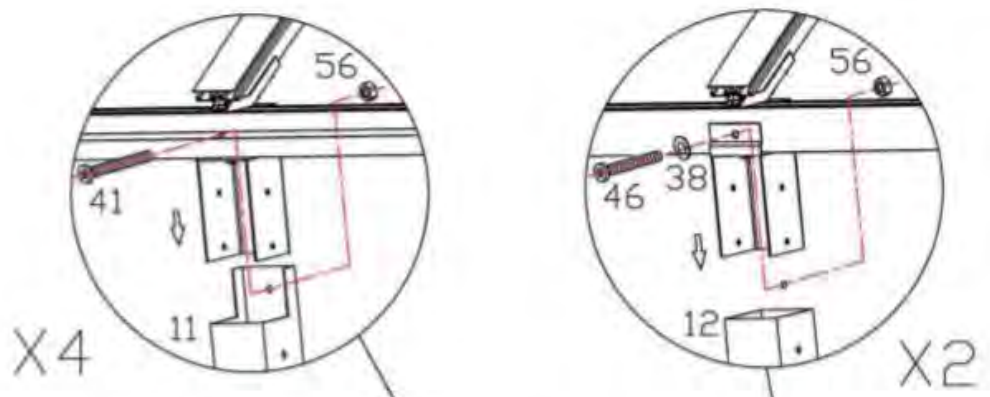


X4

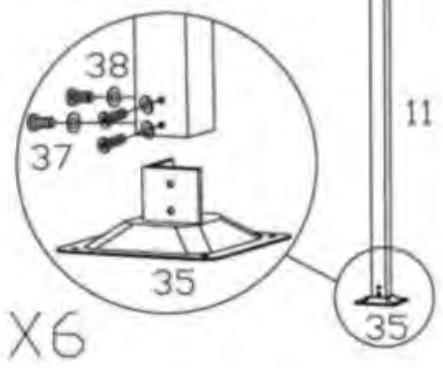
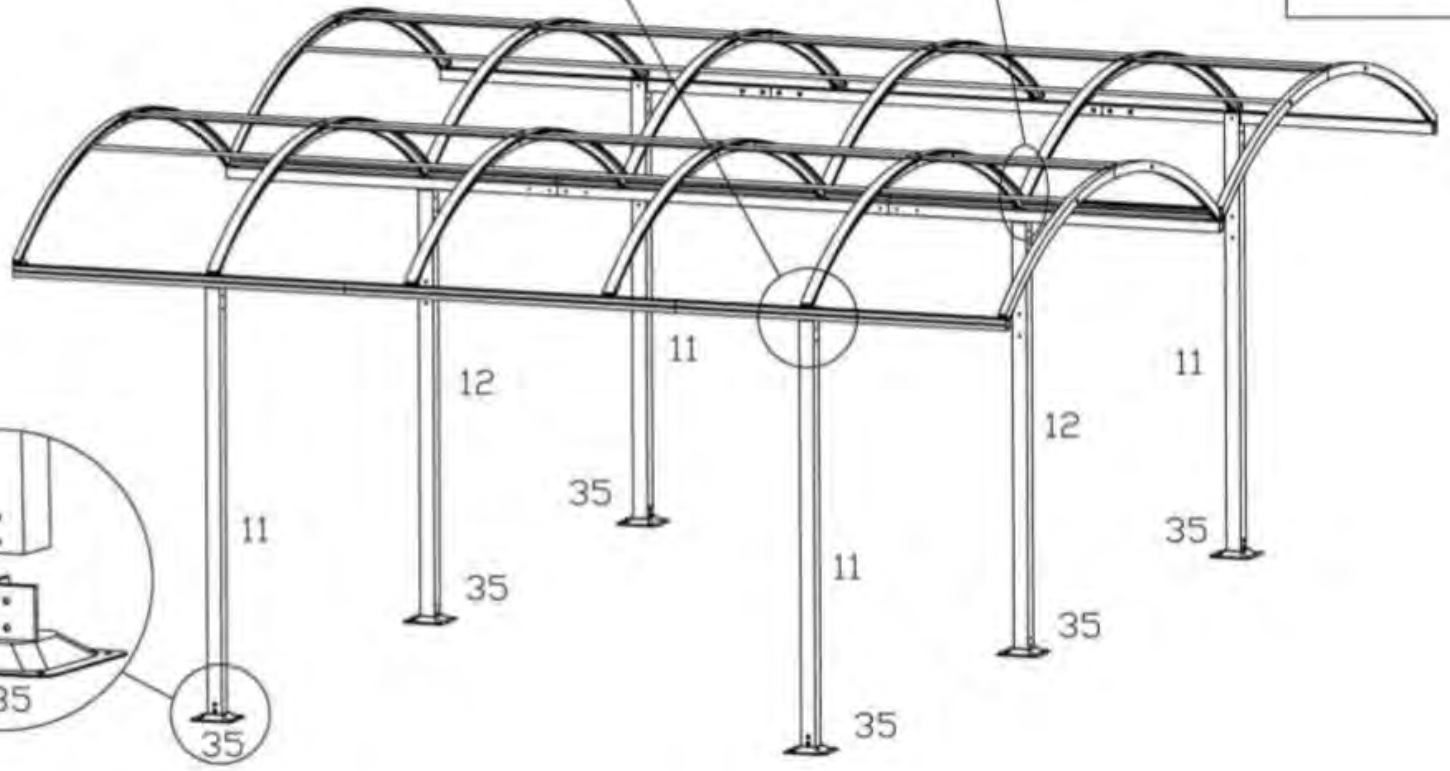
s'assurer que les éléments n°28 sont correctement fixés aux n° 1A et 1B.



8

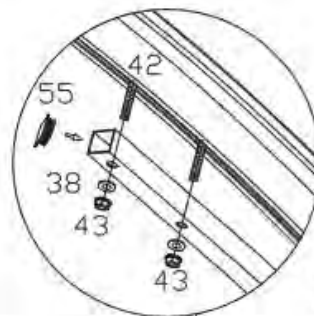
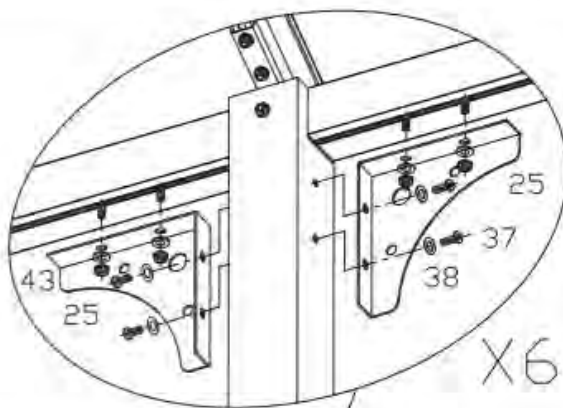
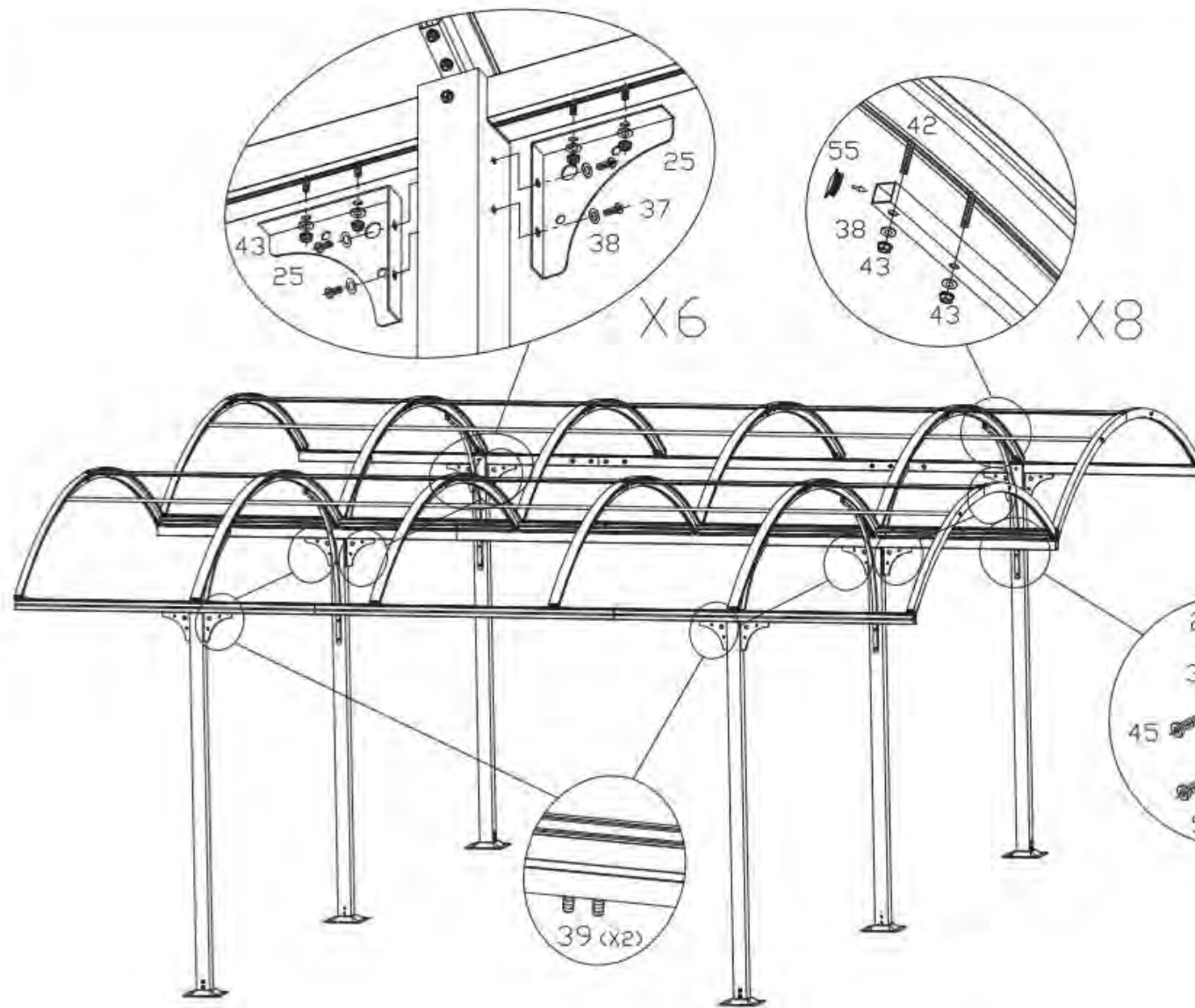


37		24x
38		26x
41		4x
46		2x
56		6x

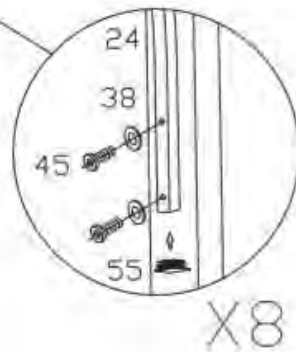


X6

9



- |    |  |              |
|----|--|--------------|
| 37 |  | 24x          |
| 38 |  | 80x          |
| 39 |  | 8x           |
| 39 |  | on track 16x |
| 42 |  | on track 16x |
| 43 |  | 40x          |
| 45 |  | 16x          |

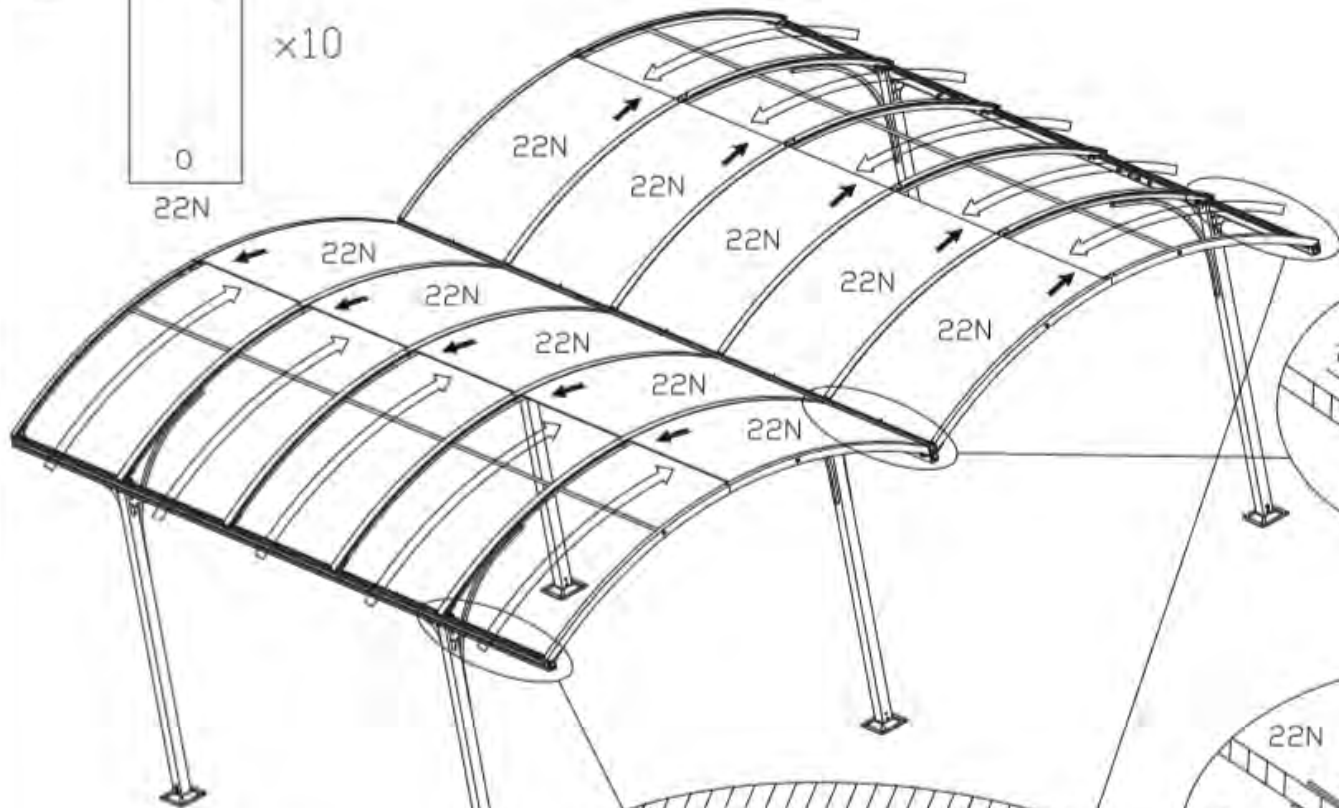


10

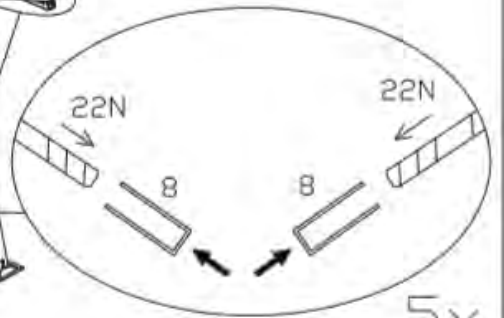


x10

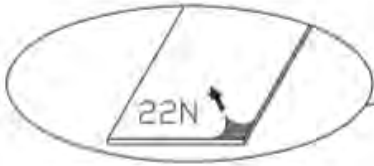
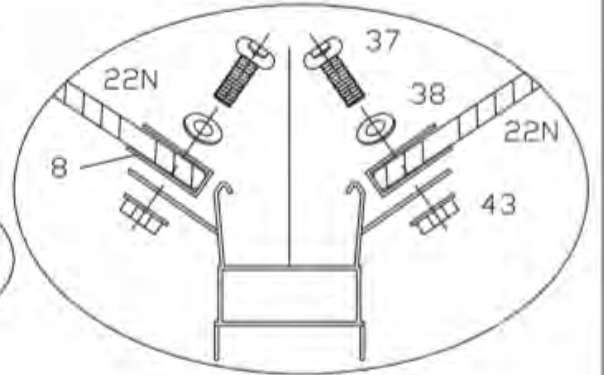
22N



37		10x
38		10x
43		10x



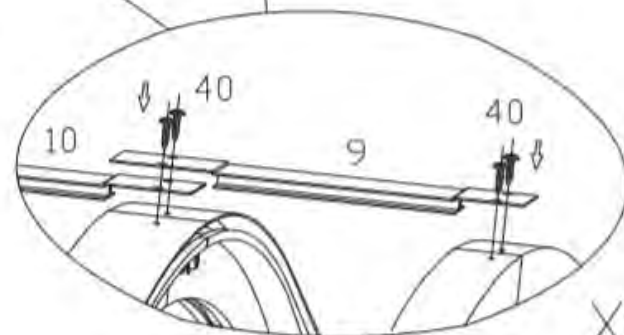
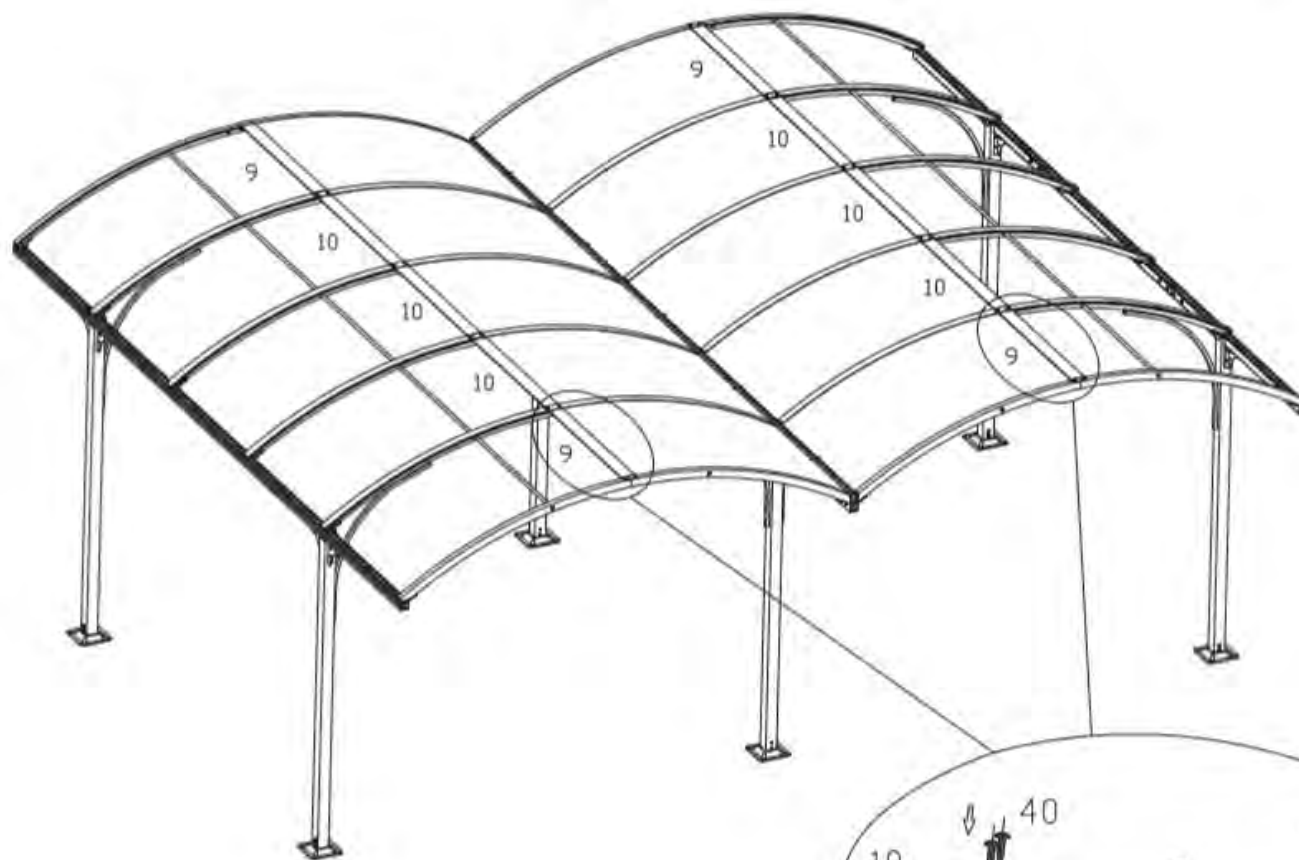
5x



10x

11

40  24x



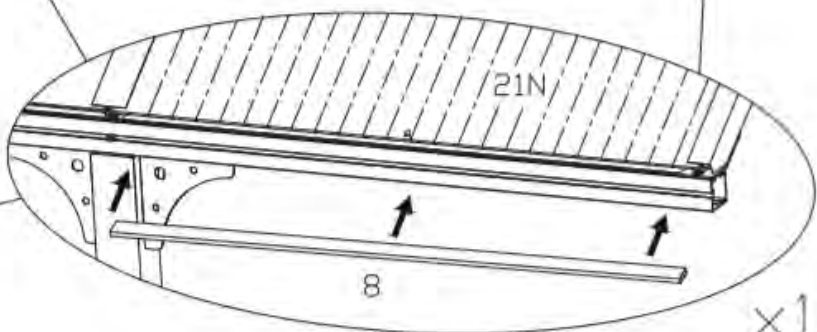
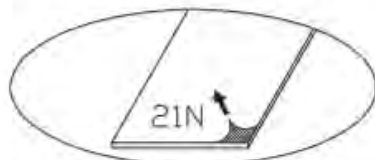
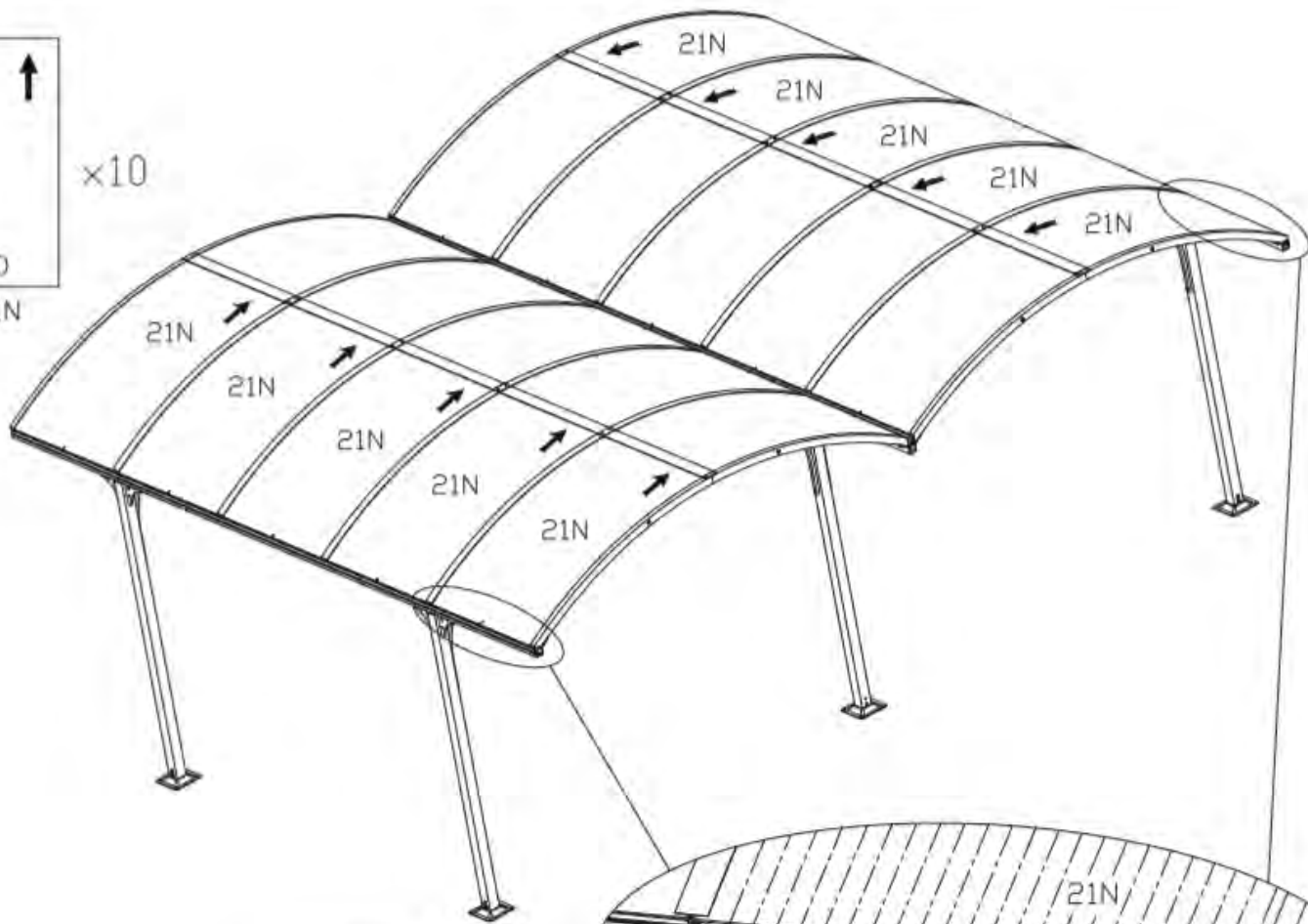
X2



12

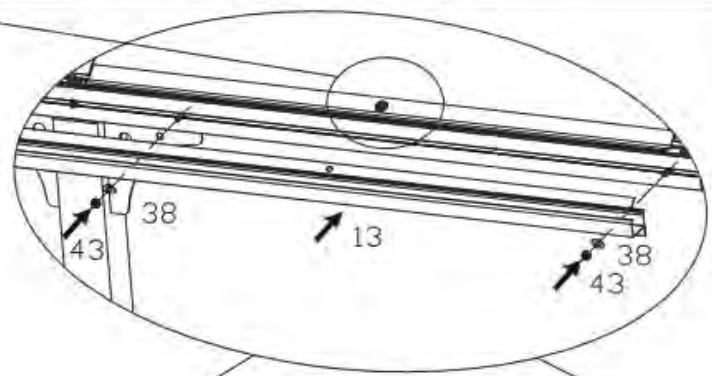
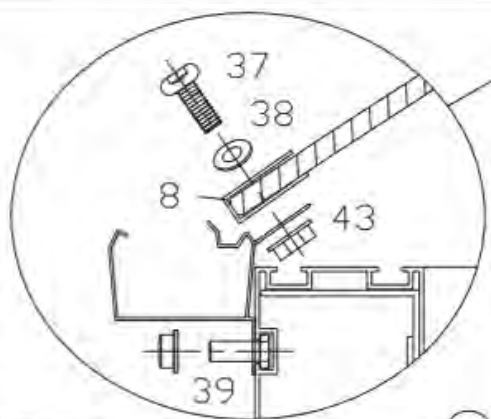


x10



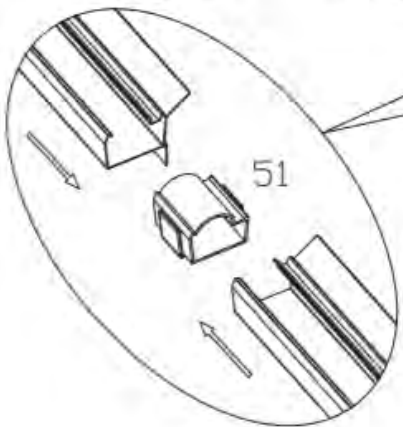
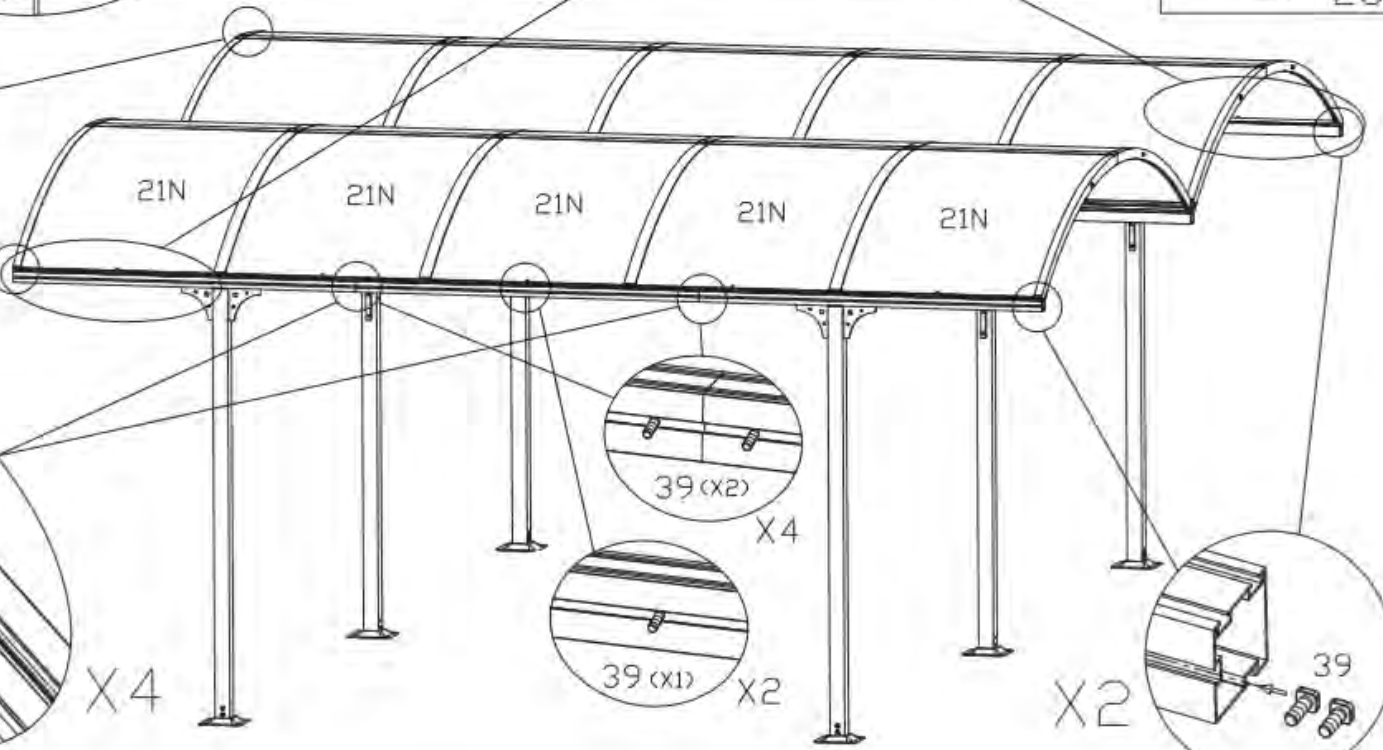
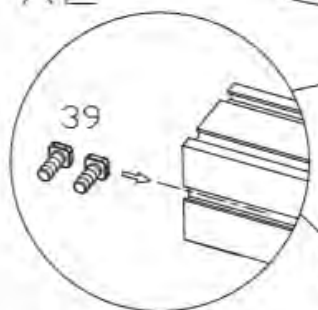
x10

13



37		10x
38		28x
39		8x
39		on track 10x
43		28x

X2

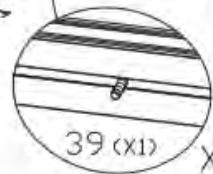


X4



39 (x2)

X4



39 (x1)

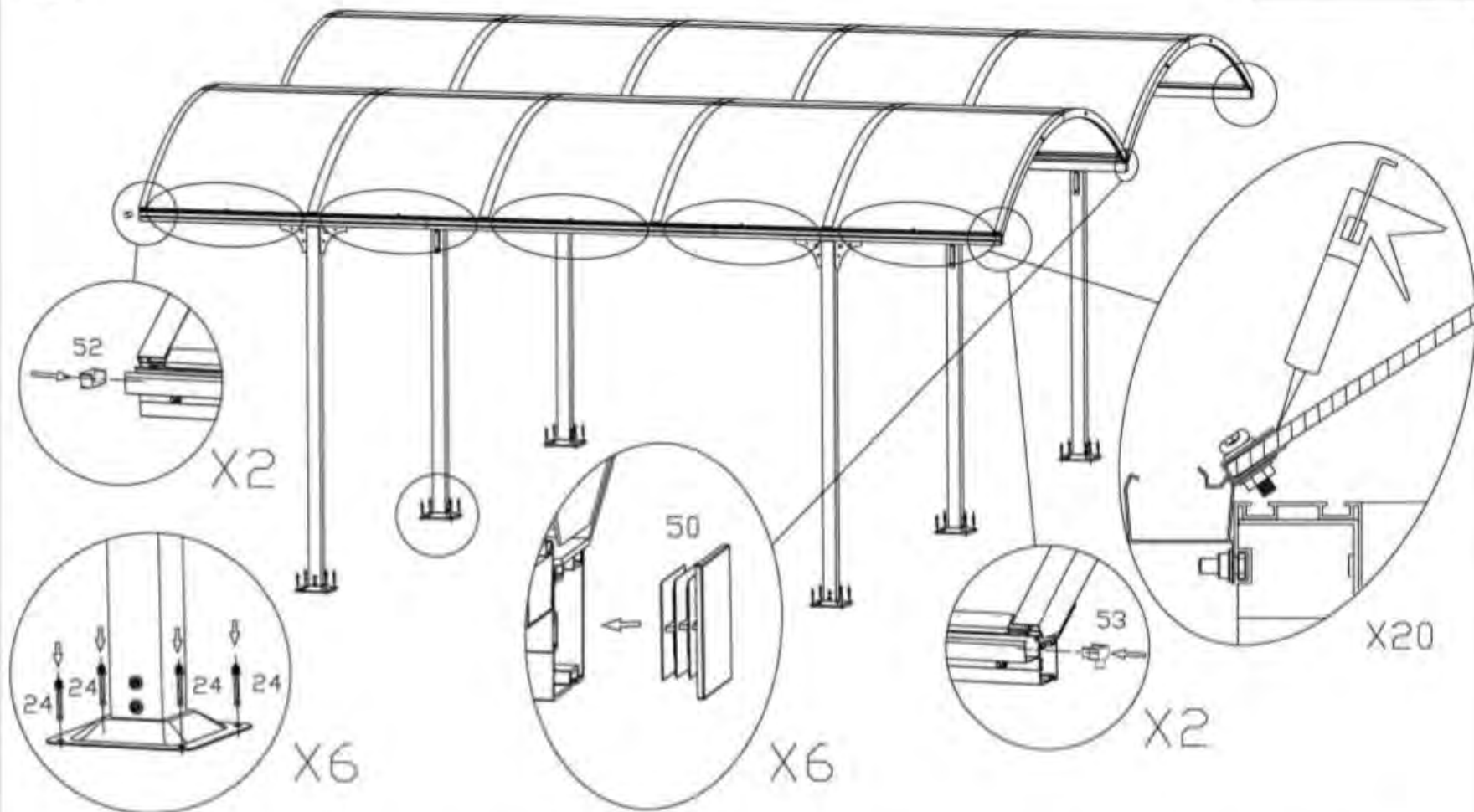
X2



X2

14

44 24x



Pour maximiser l'étanchéité des gouttières, appliquer un mastic d'étanchéité d'extérieur (non fourni) à toutes les pièces en contact.